

# Masport<sup>®</sup> Heating

## INSERT & INBUILT WOOD FIRES

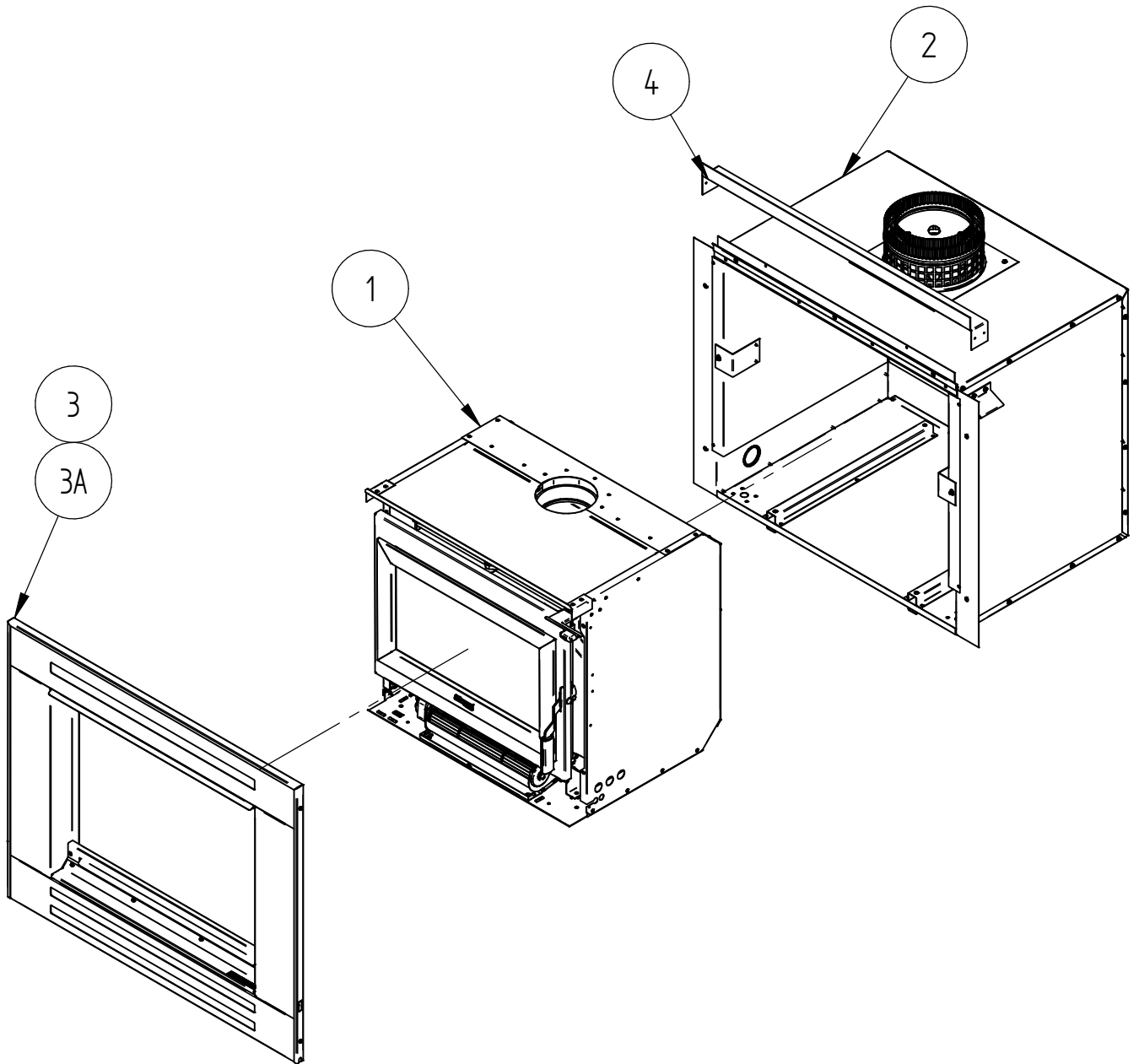
I9000 - NEW ZEALAND						
DESCRIPTION	ITEM NO.	MARKET	FUEL TYPE	FINISH	YEAR	FAN
Fire Box	995924	NZ	SOFTWOOD	-N.A.-	JUN-2013	YES
ZC Fascia	995925			Metallic Black VHT Paint		-N.A.-
	995926*					
ZC box	995923			-N.A.-		

KIT CODE	DESCRIPTION	CONTENTS
MAW2053	KIT I9000 2010 Z/C NZ	995923 + 995924+995925
MAW2053*	KIT I9000 2010 Z/C NZ	995923 + 995924+995926

\*NEW FASCIA INTRODUCED IN JUNE 13



# OVER ALL SCHEMATIC FOR I9000 (NZ) MASONRY & INBUILT / ZC COMPONENTS

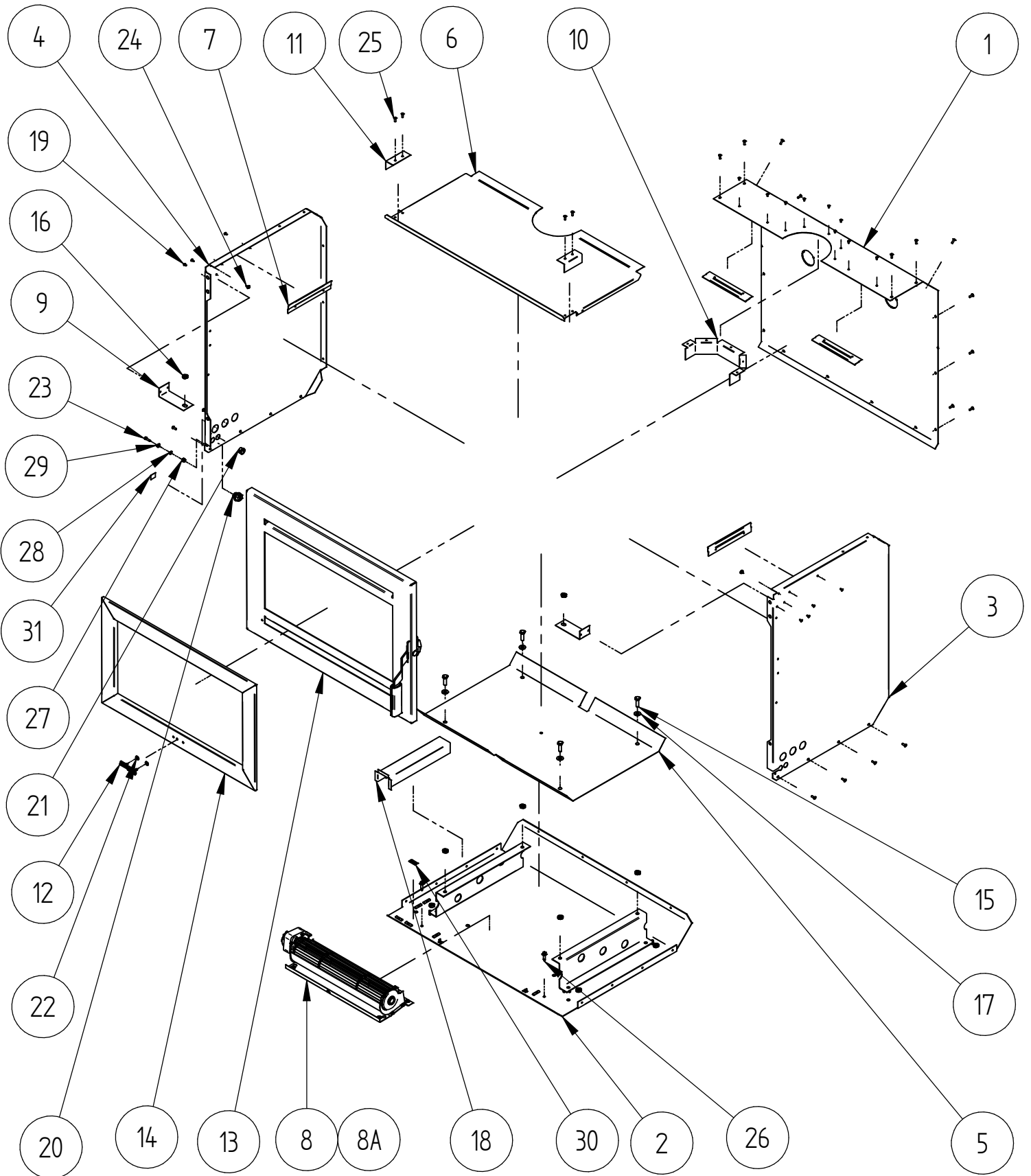


When ordering PLEASE QUOTE PART ID along with Finish Suffix (if applicable)

FASCIA AND ZERO CLEARANCE BOX				
Item	Part ID	Model(s)	Description	Qty
		995924		
1	995924	-	W/F I9000 NZ 2010 MET BLK VHT	1
2	995923	-	Z/C CABINET, I-9000	1
3	995926*	-	FASCIA I9000 Z/C 2013 MET BLK VHT	1
3A	995925	-	FASCIA I9000 Z/C MET BLK VHT	1
4	995168	-	SUPPORT-ANGLE, ZC KT GR PRO	1

When ordering PLEASE QUOTE PART ID along with Finish Suffix (if applicable)

# PANELS, DOOR AND PEDESTAL



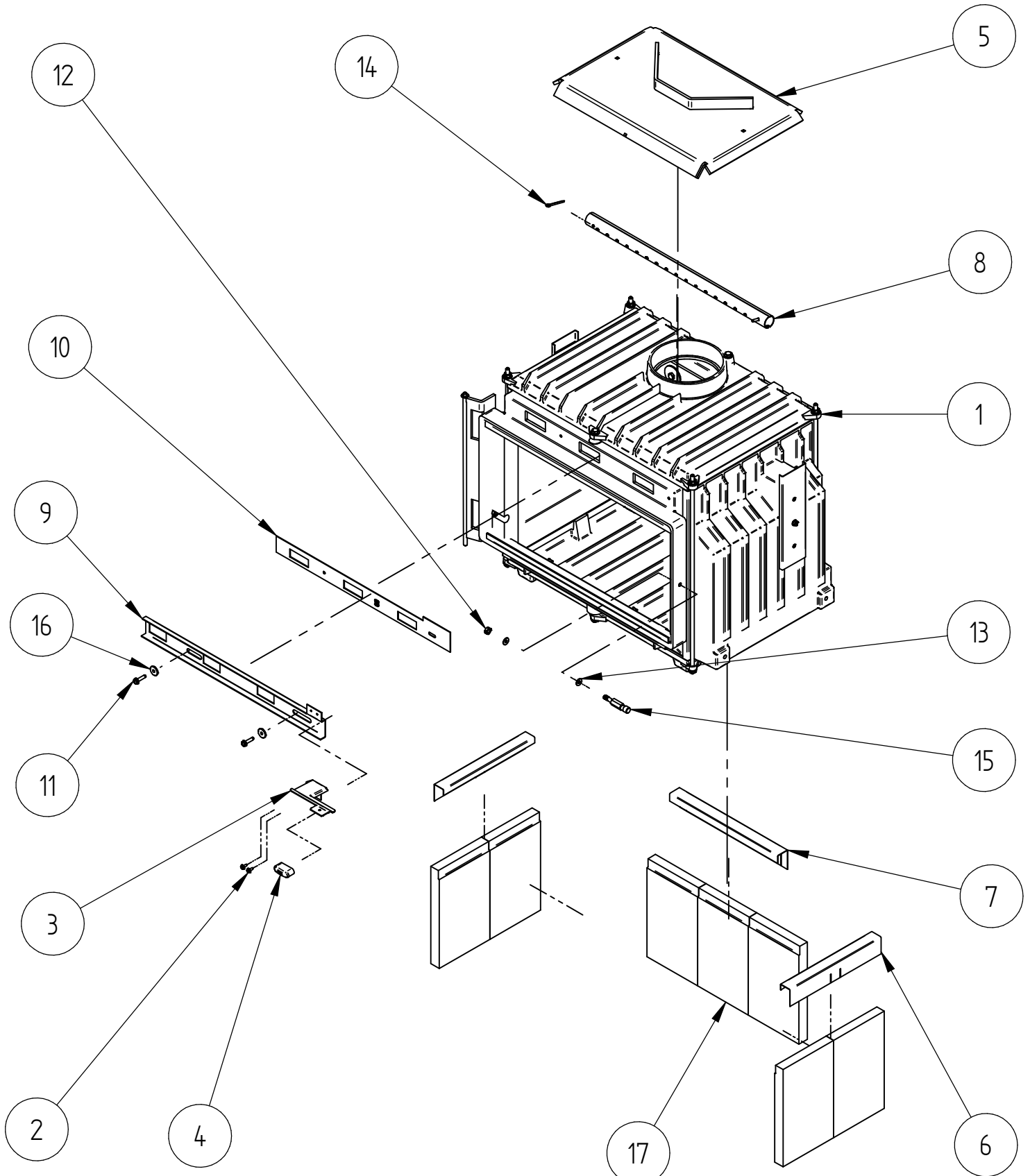
When ordering PLEASE QUOTE PART ID along with Finish Suffix (if applicable)

PANELS, DOOR AND PEDESTAL				
Item	Part ID	Model(s)	Description	Qty
		995924		
1	993308	-	CASE OUTER, REAR I-9000	1
2	993301	-	BASE ASSEMBLY W/F I9000	1
3	993304	-	CASE - OUTER, SIDE RH I-9000	1
4	993305	-	CASE - OUTER, SIDE LH I-9000	1
5	993306	-	HEATSHIELD-BOTTOM I-9000	1
6	993307	-	CASE - OUTER, TOP I-9000	1
7	986514	-	CASE OUTER, GUIDE RAIL LE	4
8	993311	-	FAN ASSY-2 SP W/F I9000	1
8A*	793311	-	FAN ASSY 2 SP FERGAS I9000 PKG	1
9	993339	-	I-9000 F/B CETRALIZING BRACKET	2
10	993348	-	SPIGOT DEFLECTOR I-9000	1
11	993377	-	H/C CAPPING 19000	2
12	587835	-	BADGE MASPORT HEATING	1
13	993319	-	DOOR ASSY I-9000	1
14	993321	V02	TRIM-DOOR, ASSY. I9000 TITANIUM VHT	1
15	521067	-	SCREW; M8X25 HEX ZP	4
16	522118	-	NUT; HEX STD M8 ZP	6
17	523034	-	WASHER; FLAT M8X19X1.6 ZP	4
18	993296	-	SHIELD-LOOM, LE4	1
19	524008	-	RIVET; 73 MS 4-2	17
20	529201	-	CLAMP; CABLE 16 LITTLE GRIPPER	1
21	529400	-	GROMMET; PLASTIC 22-PLB16	1
22	526009	-	CLIP; STARLOCK M4	2
23	521015	-	SCREW; M4X16 PAN SLOT ZP	1
24	521627	-	SCREW; S/T 8GX3/8" MUSH FLANGE POZI BLK	2
25	524006	-	RIVET; 73 AS 5-5	28
26	521637	-	SCREW; S/T 12GX25 TIMBERTITE	2
27	522800	-	NUT; SERRATED FLANGE M4 ZP	1
28	523028	-	WASHER; FLAT M5 BRS	1
29	523205	-	WASHER; STAR M4 EXT	1
30	585326	-	DECAL ELECTRICAL RATING	1
31	585631	-	DECAL EARTH	1

\*Optional Sale Kit

When ordering PLEASE QUOTE PART ID along with Finish Suffix (if applicable)

# AIRSLIDE, BAFFLE, BRICKS AND FIREBOX



When ordering PLEASE QUOTE PART ID along with Finish Suffix (if applicable)

AIRSLIDE, BAFFLE, BRICKS AND FIREBOX				
Item	Part ID	Model(s)	Description	Qty
		995924		
1	993341	-	F/B ASSY I9000 NZ	1
2	521643	-	SCREW; S/T 8GX1/2" HEX POZI BLK	2
3	993450	-	EXT. AIRSLIDE BRACKET I9000	1
4	593568	-	AIR SLIDE KNOB PUSH ON	1
5	993436	V02	BAFFLE ASSY STL F7000	1
6	994258	-	CHANNEL BRICK RETAINER F2000	2
7	987146	-	CHANNEL - BRICK RETAINER LE7000	1
8	995285	-	TUBE-SEC AIR, 21X4.5 F10000R	1
9	993343	-	SLIDE - AIR I-9000, NZ RURAL	1
10	993459	-	F7000 PLATE - METERING 'F7' I.D. HOLES	1
11	521633	-	SCREW; S/T M6X25 HEX FLANGE TAPTITE	2
12	522118	-	NUT; HEX STD M8 ZP	1
13	523007	-	WASHER; FLAT 1/4"X5/8"X0.049" ZP	2
14	525105	-	COTTER PIN 5.0X40 ZP	1
15	593486	-	PIN-DOOR LATCH I-9000	1
16	MIC00083	-	LOGAIRE METRO AIR SLIDE SPACER	2
17	MIC00354	-	MIC BRICK	7

Note: Mar 14 onwards old wooden knobs were replaced by plastic knobs.

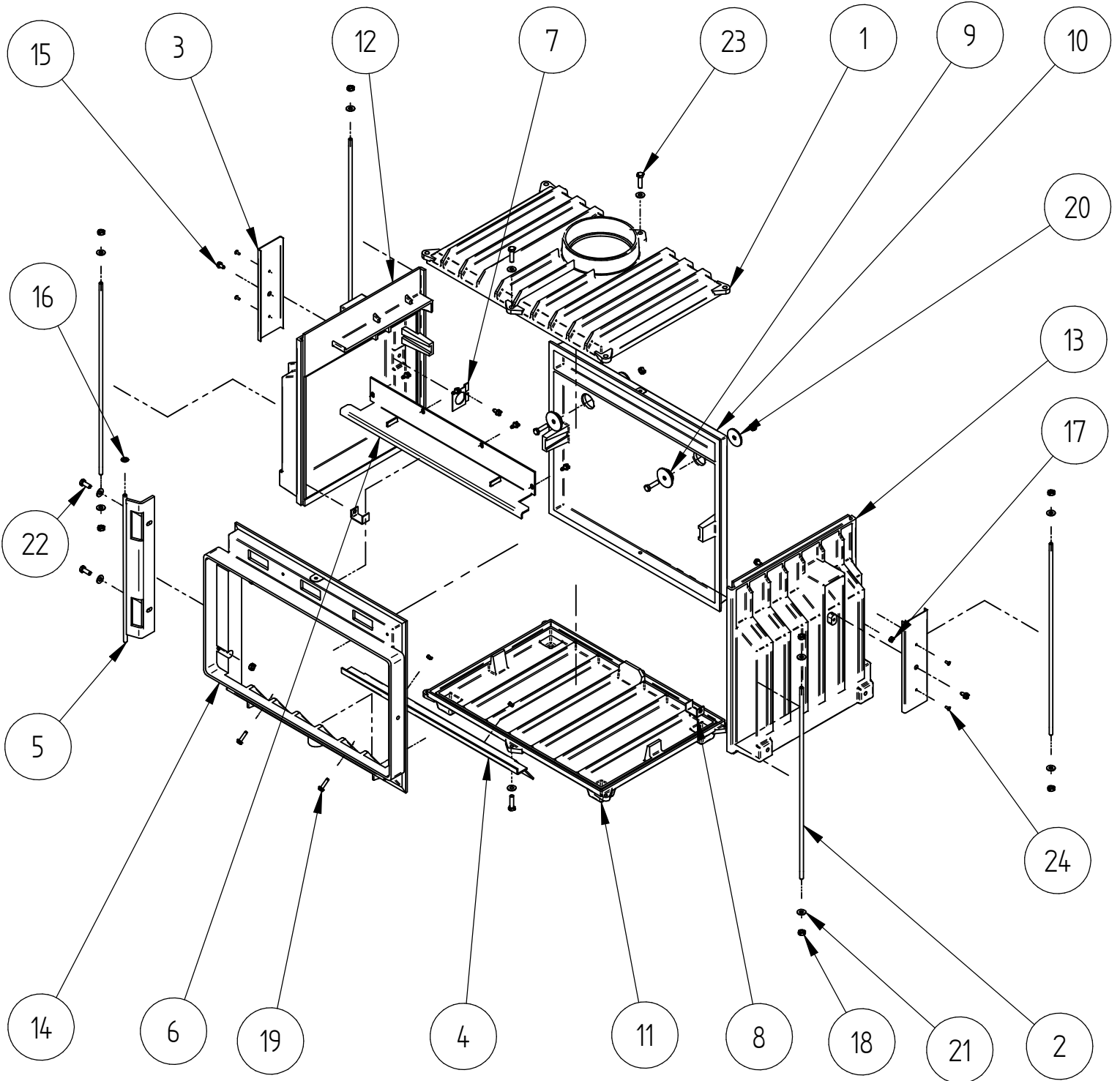
Old wooden knob parts:

1 X 986162 Air control knob

1 X 521642 Screw

Contact Customer service/Engineering Dept. for details of wooden knob system (Issue A).

# FIREBOX DETAILS



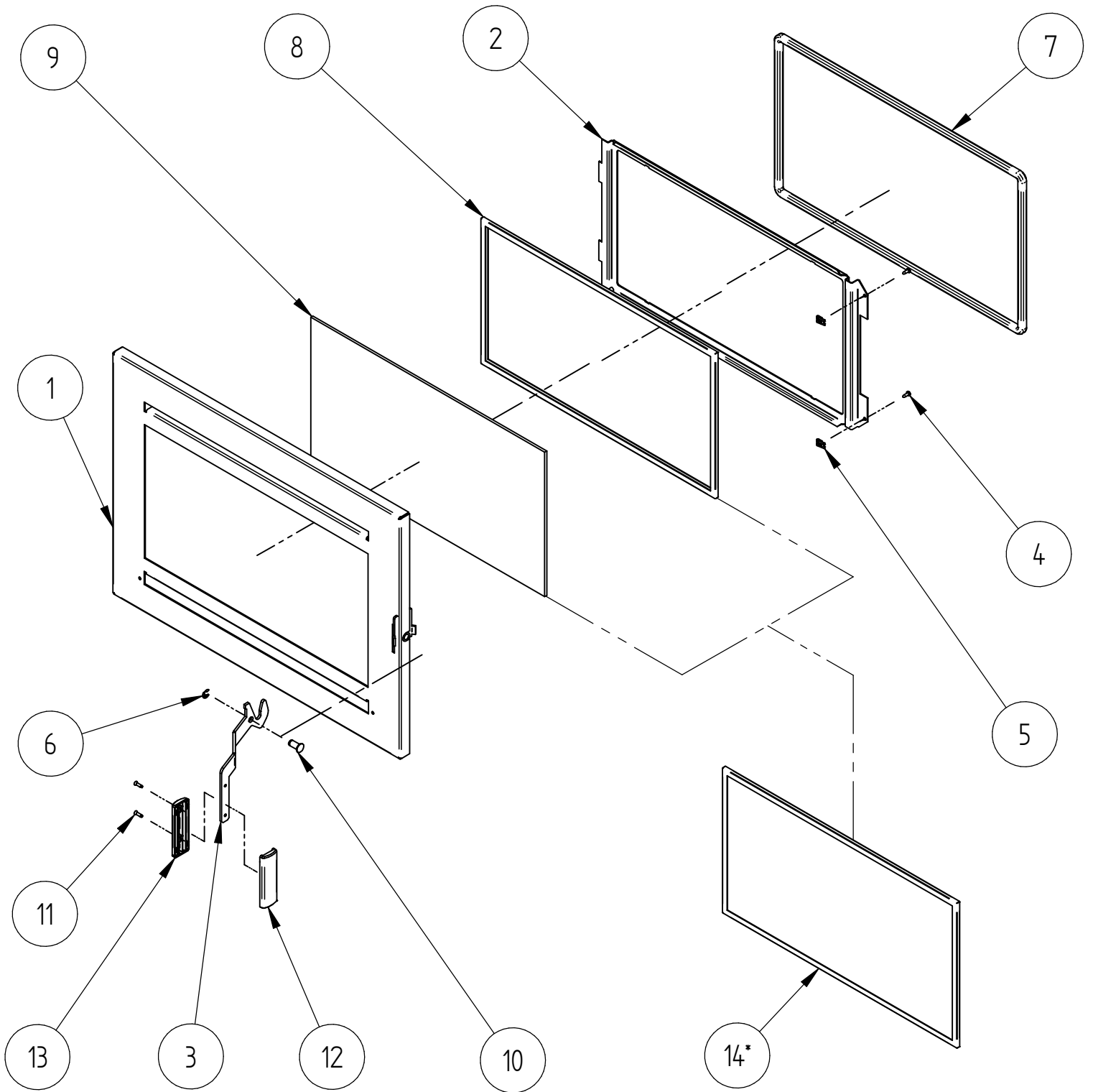
When ordering PLEASE QUOTE PART ID along with Finish Suffix (if applicable)



FIREBOX DETAILS: 993341				
Item	Part ID	Model(s)	Description	Qty
		995924		
1	687102	-	F/B TOP LE 7000/PROVINCIAL	1
2	587108	-	ROD; TIE M8X 510	4
3	986146	-	COVER - SECONDARY AIR	2
4	986723	-	PLARE - BASE INNER F7000/ I-9000	1
5	993331	-	F/B HINGE I-9000	1
6	993479	-	DEFLECTOR ASSY- PRIMARY AIR F7000	1
7	995541	-	BRACKET-RETAIN	2
8	995542	-	BRKT-BOARD D/D GDVW	2
9	684089	-	PLUG, 34DIAPITTS/FATSO/WFIRE	2
10	687103	-	F/B BACK LE7&PR/CLRDO/GDVW/TOR	1
11	687104	-	F/B BOTTOM LE7/CLRDO/GNDVW/TOR	1
12	695517	-	F/B SIDE LH	1
13	695522	-	F/B SIDE RH	1
14	695558	-	F/B FRONT GRANDVIEW	1
15	521601	-	SCREW; S/T 1/4"X1/2" HEX FLANGE ZP	8
16	523019	-	WASHER; FLAT 5/16"X5/8"X16G ZP	1
17	522117	-	NUT; HEX STD M6 ZP	4
18	522118	-	NUT; HEX STD M8 ZP	12
19	521633	-	SCREW; S/T M6X25 HEX FLANGE TAPTITE	2
20	523035	-	WASHER; FLAT M8X22X3 HVY ZP	2
21	523034	-	WASHER; FLAT M8X19X1.6 ZP	14
22	521066	-	SCREW; M8X20 HEX ZP	2
23	521068	-	SCREW; M8X30 HEX ZP	6
24	524011	-	RIVET; 73 MS 5-3	4

When ordering PLEASE QUOTE PART ID along with Finish Suffix (if applicable)

# DOOR ASSEMBLY



When ordering PLEASE QUOTE PART ID along with Finish Suffix (if applicable)

DOOR ASSEMBLY				
Item	Part ID	Model(s)	Description	Qty
		995924		
		993319		
1	993320	V02	DOOR PANEL SUB ASSY, I9000	1
2	994516	-	RETAINER - GLASS, COLORADO	1
3	993328	-	HOOK DOOR LATCH - I9000	1
4	521619	-	SCREW; S/T 8GX1/2" PAN POZI ZP	2
5	522401	-	NUT; SPIRE SNJ 0116/17/4/6	2
6	526202	-	CLIP; CIRCLIP E-CLIP 8 DIA DIN1500 ETC08	1
7	C15MMDR	-	DOOR ROPE	1
8	C25MMGT	-	TAPE ,FLT 3 X 20 LDR AD BLK X 50m ROLL	1
9	593031	-	GLASS W/F CLRADO, GR PROV, F7, I9	1
10	593276	-	PIN PIVOT DOOR CATCH LE4000	1
11	521650	-	SCREW; 6GX1/2" S/S TYPE 25 C/S POZI	2
12	593598	-	I3000 DOOR HANDLE FRONT RH PLASTIC	1
13	593599	-	DOOR HANDLE REAR L/H PLASTIC	1
14*	793330	-	DOOR GLASS KIT	1

\*Optional Sale Kit

Note: Mar 14 onwards old wooden handles were replaced by 2-piece plastic handles.

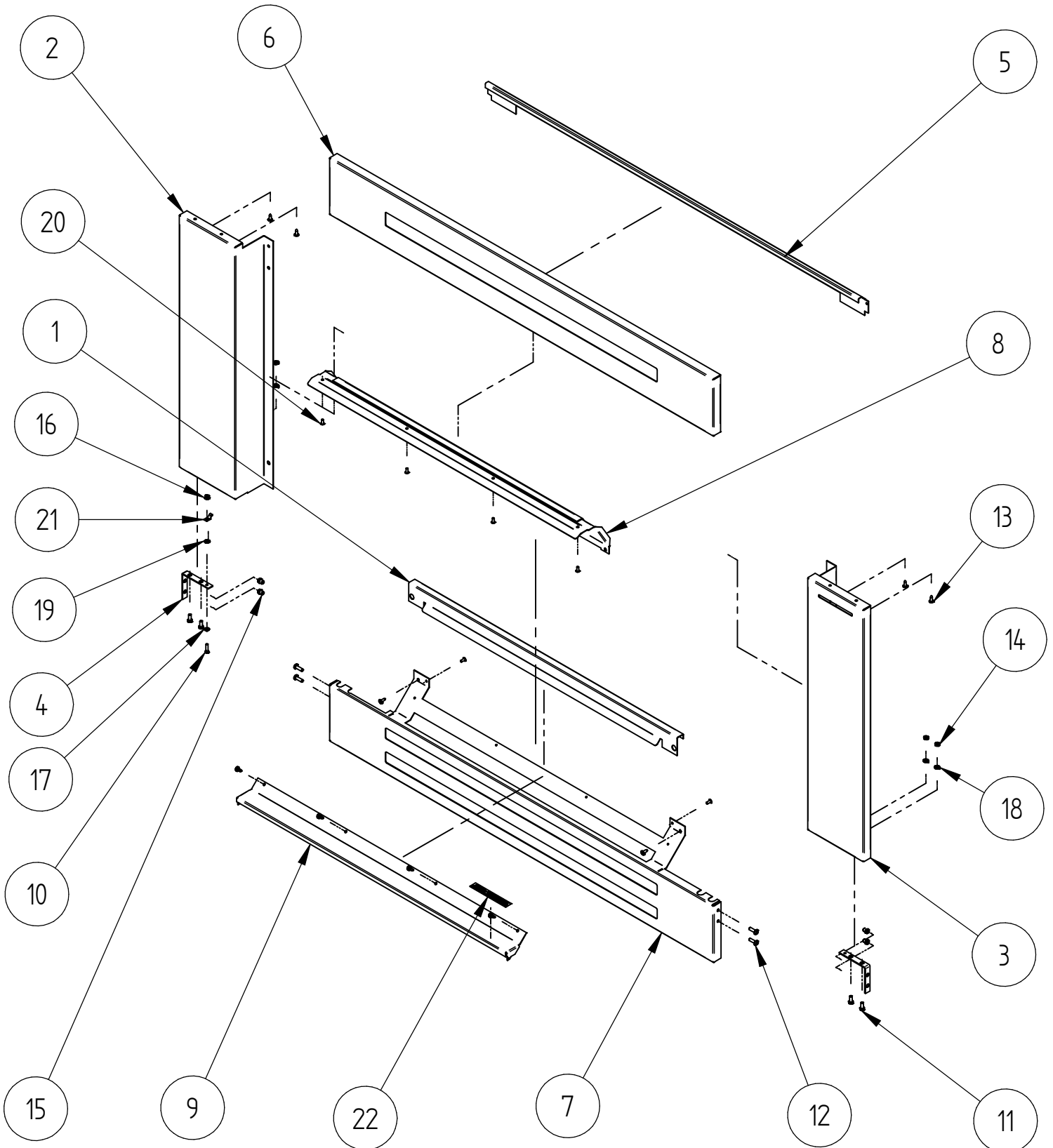
Old wooden handle parts:

1 X 586161 Door Handle

2 X 521628 Screws

Contact Customer service/Engineering Dept. for other parts of wooden handle system (Issue A).

## ZC FASCIA ASSEMBLY (995925)

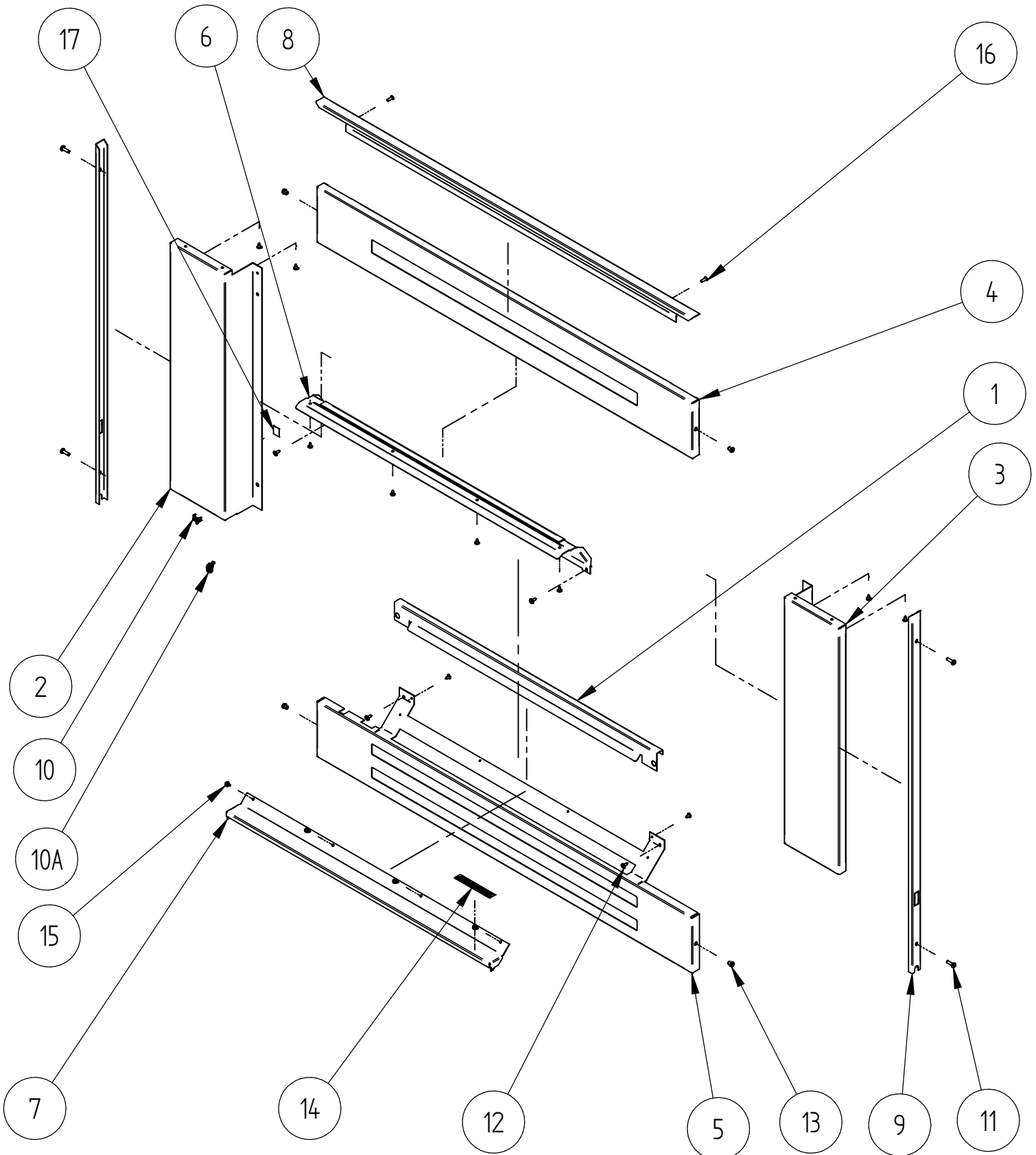


When ordering PLEASE QUOTE PART ID along with Finish Suffix (if applicable)

ZC FASCIA ASSEMBLY (995925)				
Item	Part ID	Model(s)	Description	Qty
		995924		
1	993309	V02	CHANNEL-FASCIA, BTM I9000	1
2	993351	V02	FASCIA-LH,I9000 MET BLK VHT	1
3	993352	V02	FASCIA-RH,I9000 MET BLK VHT	1
4	993356	-	BRACKET-FASCIA I9000	2
5	993378	V02	PLATE-BACKING,FASCIA TOP I9000	1
6	993380	V02	FASCIA-TOP ASSY, Z/C, MET BLK VHT	1
7	993381	V02	FASCIA-BTM ASSY,Z/C MET BLK VHT	1
8	993382	V02	FASCIA VENT COVER ASSY MET BLK VHT	1
9	993388	V02	I9000 FASCIA COVER - FAN	1
10	521015	-	SCREW; M4X16 PAN SLOT ZP	1
11	521030	-	SCREW; M5X12 HEX ZP	4
12	521033	-	SCREW; M5X16 PAN POZI BLK	4
13	521645	-	SCREW; S/T 8GX1/2" MUSH FLANGE POZI BLK	10
14	522106	-	NUT; HEX STD M5 ZP	4
15	522604	-	M5 RIVNUT	4
16	522800	-	NUT; SERRATED FLANGE M4 ZP	1
17	523028	-	WASHER; FLAT M5 BRS	1
18	523102	-	WASHER; SPRING M5 ZP	4
19	523205	-	WASHER; STAR M4 EXT	1
20	524011	-	RIVET; 73 MS 5-3	6
21	596602	-	TAB 6.3mm X 45DEG -4.1mm	1
22	595695	-	DECAL "BURN ONLY" COMBINED NZ/AUS	1

When ordering PLEASE QUOTE PART ID along with Finish Suffix (if applicable)

## ZC FASCIA ASSEMBLY (995926)

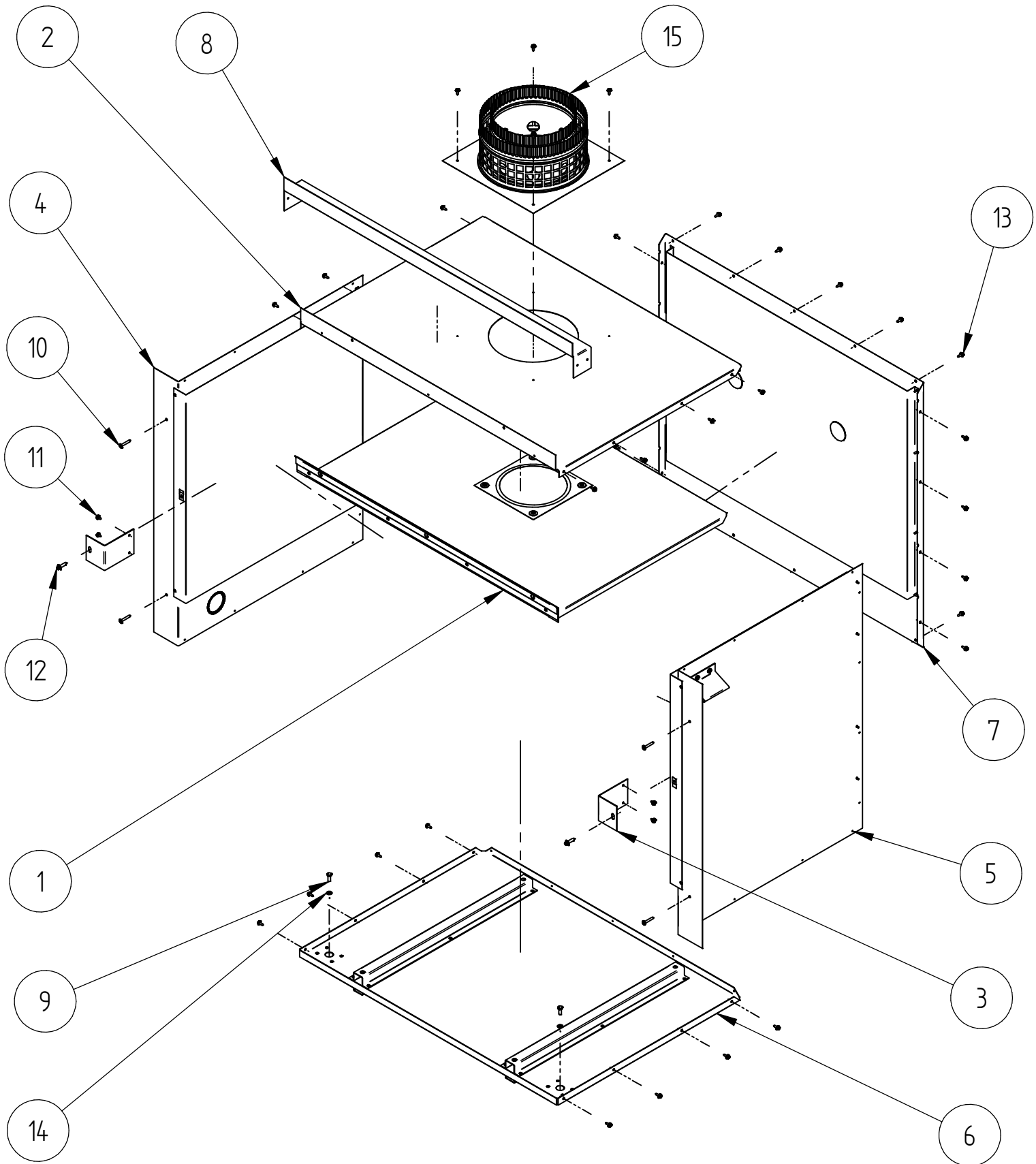


When ordering PLEASE QUOTE PART ID along with Finish Suffix (if applicable)

ZC FASCIA ASSEMBLY (995926)				
Item	Part ID	Model(s)	Description	Qty
		995924		
1	993309	V02	CHANNEL-FASCIA, BTM I9000	1
2	993344	V02	CP FASCIA-LH, I9000 MET BLK VHT	1
3	993491	V02	CP FASCIA-RH, I9000 MET BLK VHT	1
4	993446	V02	CP FASCIA I9000 - TOP ASS'Y, Z/C, MET BLK	1
5	993399	V02	CP FASCIA I9000 - BTM ASS'Y, Z/C MET BLK VH	1
6	993382	V02	FASCIA VENT COVER ASSY MET BLK VHT	1
7	993388	V02	I9000 FASCIA COVER - FAN	1
8	993490	V02	CP TRIM-FASCIA, I9000 TOP MET BLK	1
9	993489	V02	CP TRIM-FASCIA, I9000 SIDE MET BLK	2
10	596603	-	EARTH TAB RIVET BN11	1
10A	993789	-	EARTH TAG SET	1
11	521033	-	SCREW; M5X16 PAN POZI BLK	4
12	521645	-	SCREW; S/T 8GX1/2" MUSH FLANGE POZI BLK	4
13	522604	-	M5 RIVNUT	4
14	595695	-	DECAL "BURN ONLY" COMBINED NZ/AUS	1
15	521627	-	SCREW; S/T 8GX3/8" MUSH FLANGE POZI BLK	14
16	524006	-	RIVET; 73 AS 5-5	2
17	585631	-	DECAL EARTH	1

When ordering PLEASE QUOTE PART ID along with Finish Suffix (if applicable)

## ZC ASSEMBLY



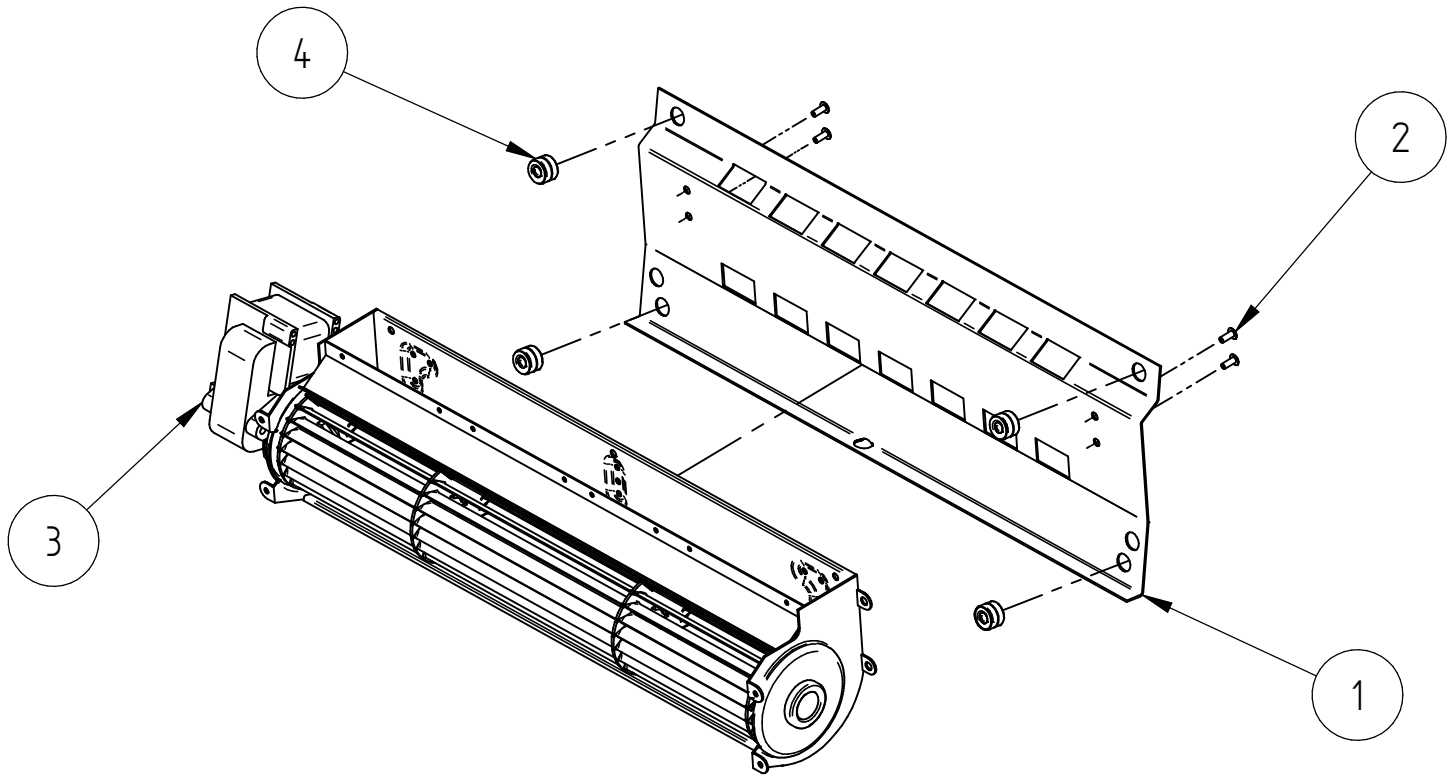
When ordering PLEASE QUOTE PART ID along with Finish Suffix (if applicable)



ZC ASSEMBLY: 995923				
Item	Part ID	Model(s)	Description	Qty
		995924		
1	993360	-	PANEL-TOP, SHIELD ASSY ZC I9000	1
2	993361	-	PANEL TOP - ZC BOX I-9000	1
3	993370	-	BRACKET RESTRAINT, ZC I-9000	2
4	993390	-	FS SIDE PANEL ASS'Y L/H Z/C I9000	1
5	993391	-	FS SIDE PANEL ASS'Y R/H Z/C I9000	1
6	993392	-	FS BOTTOM PANEL ASS'Y Z/C I9000	1
7	993393	-	FS REAR PANEL ASSY Z/C I9000	1
8	995168	-	SUPPORT ANGLE - ZC BOX GR PROV	1
9	521076	-	SCREW; M6X16 HEX ZP	2
10	521607	-	SCREW; S/T 10GX1-1/4" PAN POZI ZP	4
11	521635	-	SCREW; S/T 10GX3/8" HEX FLANGE BLK	4
12	521637	-	SCREW; S/T 12GX25 TIMBERTITE	2
13	521643	-	SCREW; S/T 8GX1/2" HEX POZI BLK	38
14	523031	-	WASHER; FLAT M6 ZP	2
15	593374	-	FLANGE- SPIGOT ASSY I9000	1

When ordering PLEASE QUOTE PART ID along with Finish Suffix (if applicable)

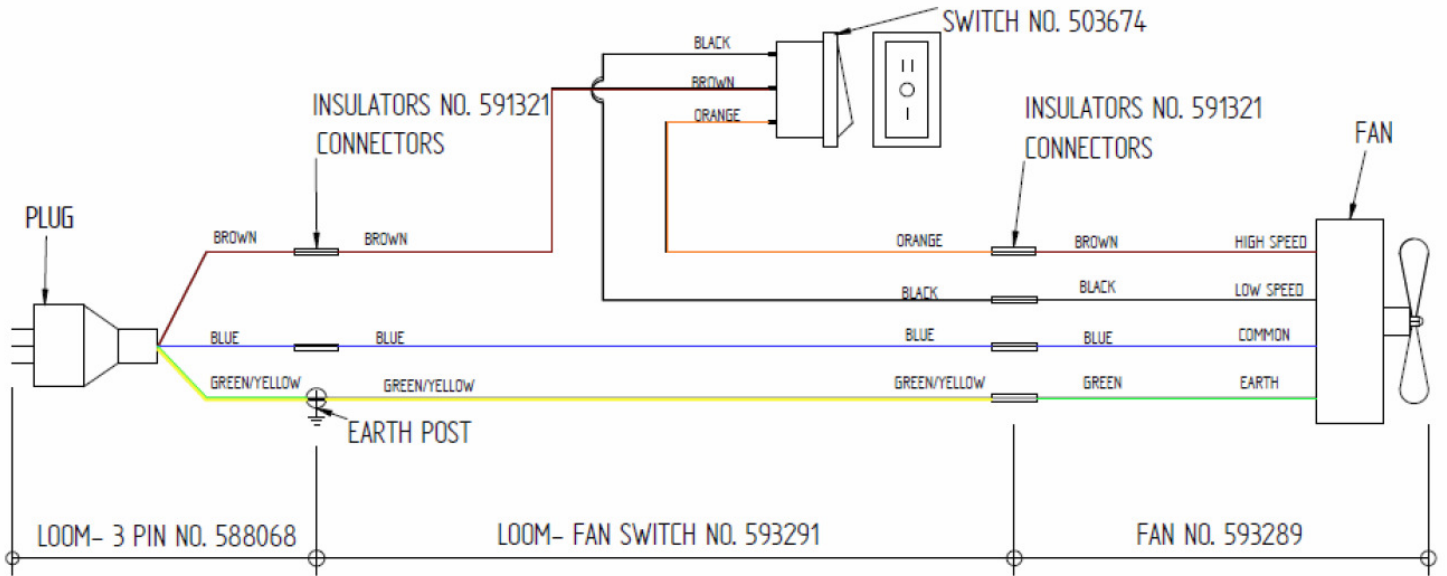
## FAN BOX ASSEMBLY



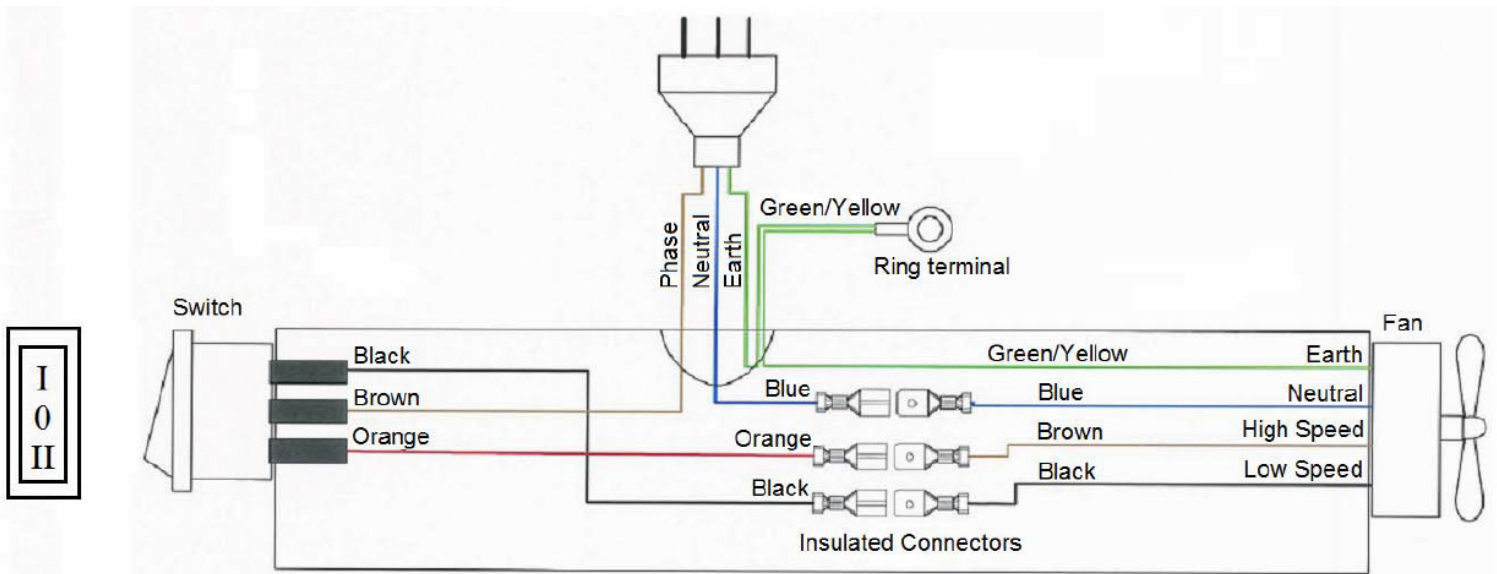
FAN BOX ASSEMBLY: 993311				
Item	Part ID	Model(s)	Description	Qty
		995924		
1	993312	-	FAN MOUNT PLATE, I-9000	1
2	524010	-	RIVET; 73 AS 4-3 LONG	4
3	593289	-	FAN-2 SP TANG W/F INB FERGAS 76082	1
4	529402	-	GROMMET; 14X6	4

When ordering PLEASE QUOTE PART ID along with Finish Suffix (if applicable)

## FAN LOOM DIAGRAM



## FAN WIRING DIAGRAM W/F FREESTANDING 2011 - 2013



## FAN WIRING DIAGRAM W/F FREESTANDING 2013 ONWARDS

When ordering PLEASE QUOTE PART ID along with Finish Suffix (if applicable)

NOT ILLUSTRATED				
Item	Part ID	Model(s)	Descriptions	Qty
		995924		
1	593286	-	OWNER MANUAL WOODFIRES	1
2	593359	-	INSTRUCT 19000 Z/C INSTALLATION	1
3	593487	-	INSTRUCT BRICK INSTALL	1
4	595923	-	INSTRUCT 19000 Z/C BOX ASSEMBLY	1

SURFACE FINISH CODES FOR PANELS						
VITREOUS ENAMEL		VHT PAINT(Very High Temp)			POWDER COAT	
E01	MATT BLACK	V02	P-000022	METALLIC BLACK	P02	MATT BLACK
E02	GLOSS BLACK	V03	P-000043	CHARCOAL	P03	CHARCOAL
E03	CHARCOAL	V04	P-000081	TITANIUM	P05	SATIN BLACK
		V05	P-000051	CHARCOAL (DAM MET BLK)	P09	METTALIC BLACK
		V06	P-000052	METALLIC BLACK ZINC		
LESS FREQUENTLY OR OLD SURFACE FINISH CODES FOR PANELS						
VITREOUS ENAMEL		VHT PAINT(Very High Temp)			POWDER COAT	
E04	JASMINE	V01		SATIN BLACK HIGH TEMP	P01	BLUE/BLACK
					P04	GLOSS CHARCOAL
					P07	FLAT BLACK

When ordering PLEASE QUOTE PART ID along with Finish Suffix (if applicable)